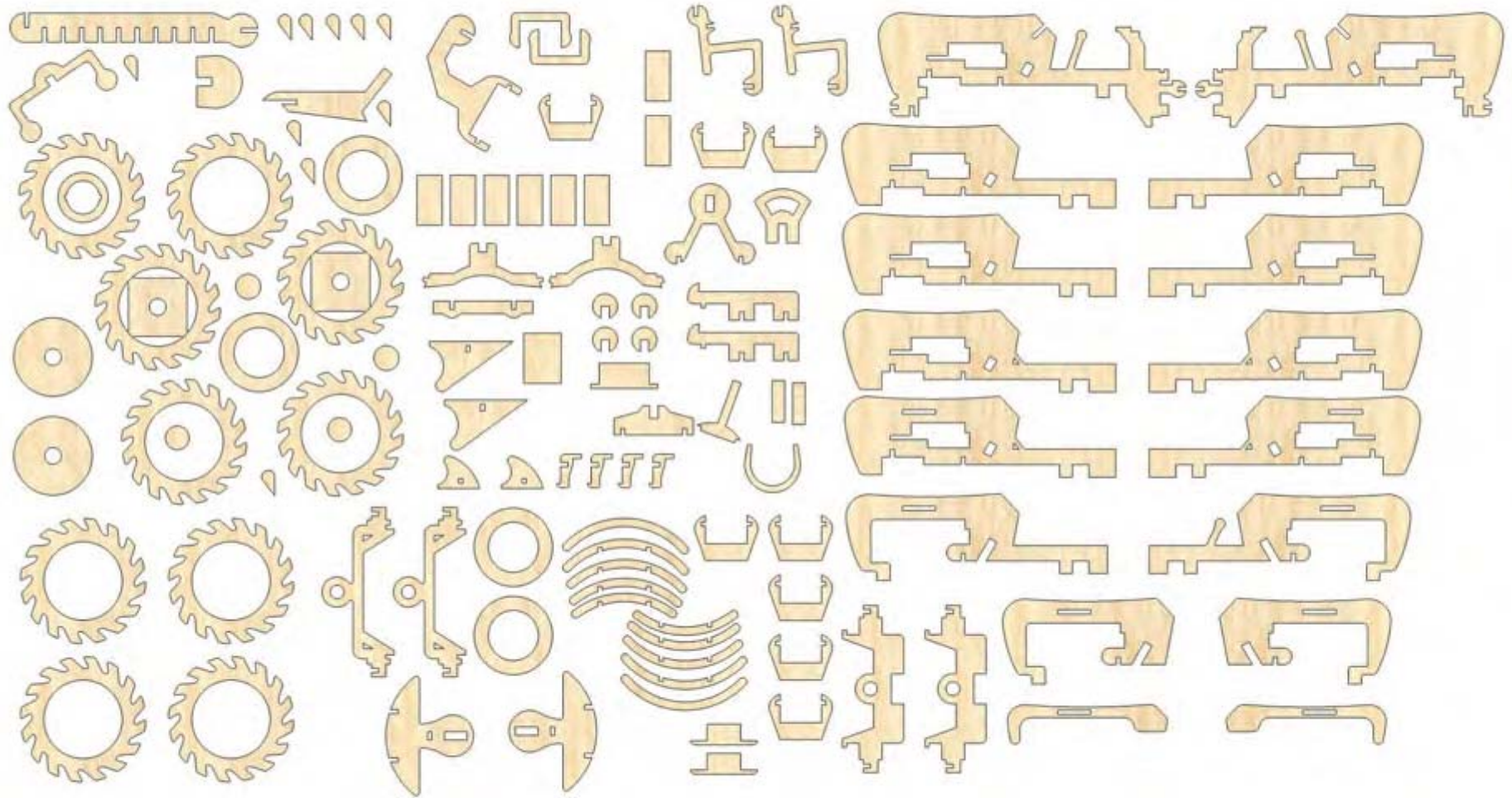


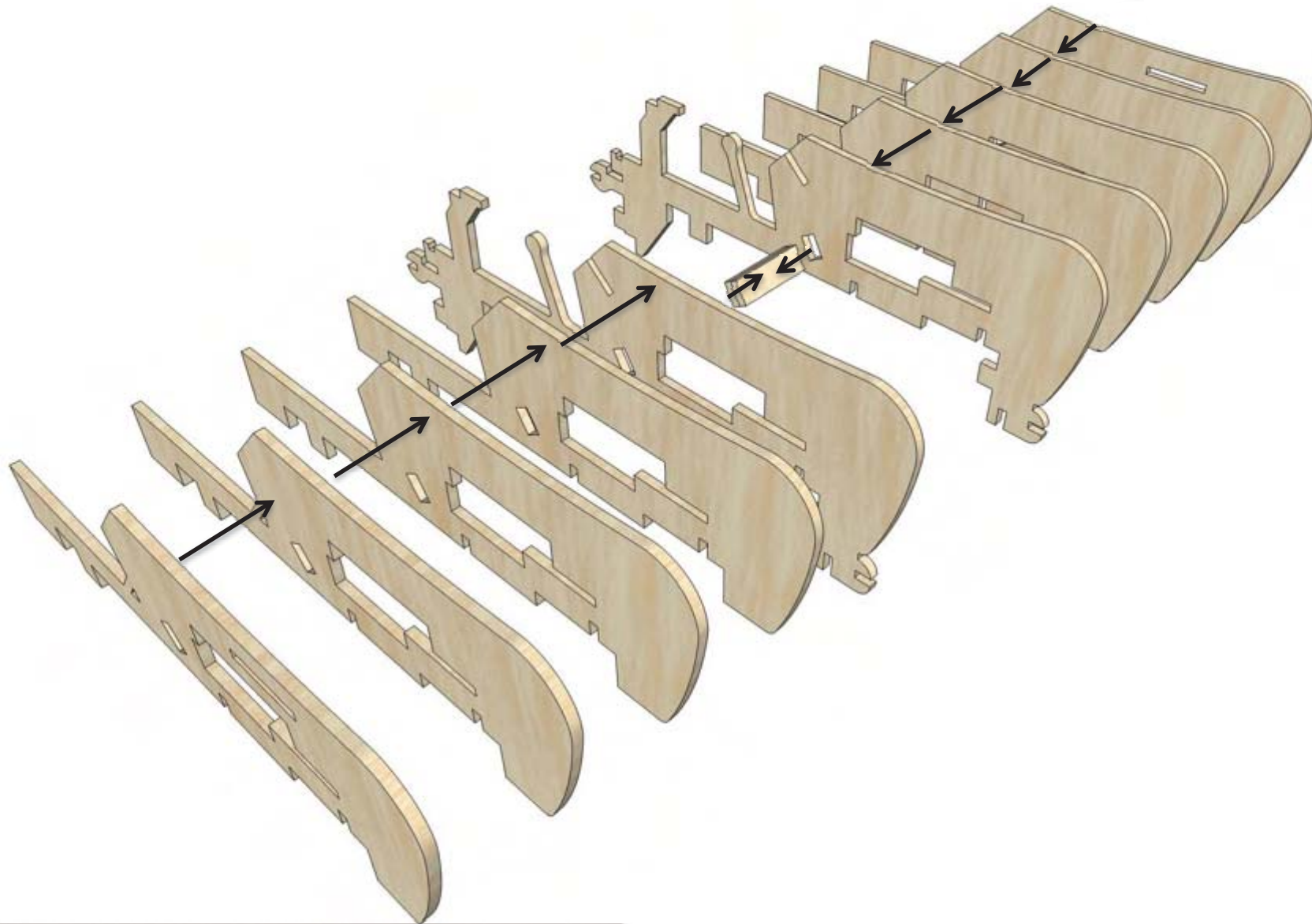


**VINTAGE FARM TRACTOR**

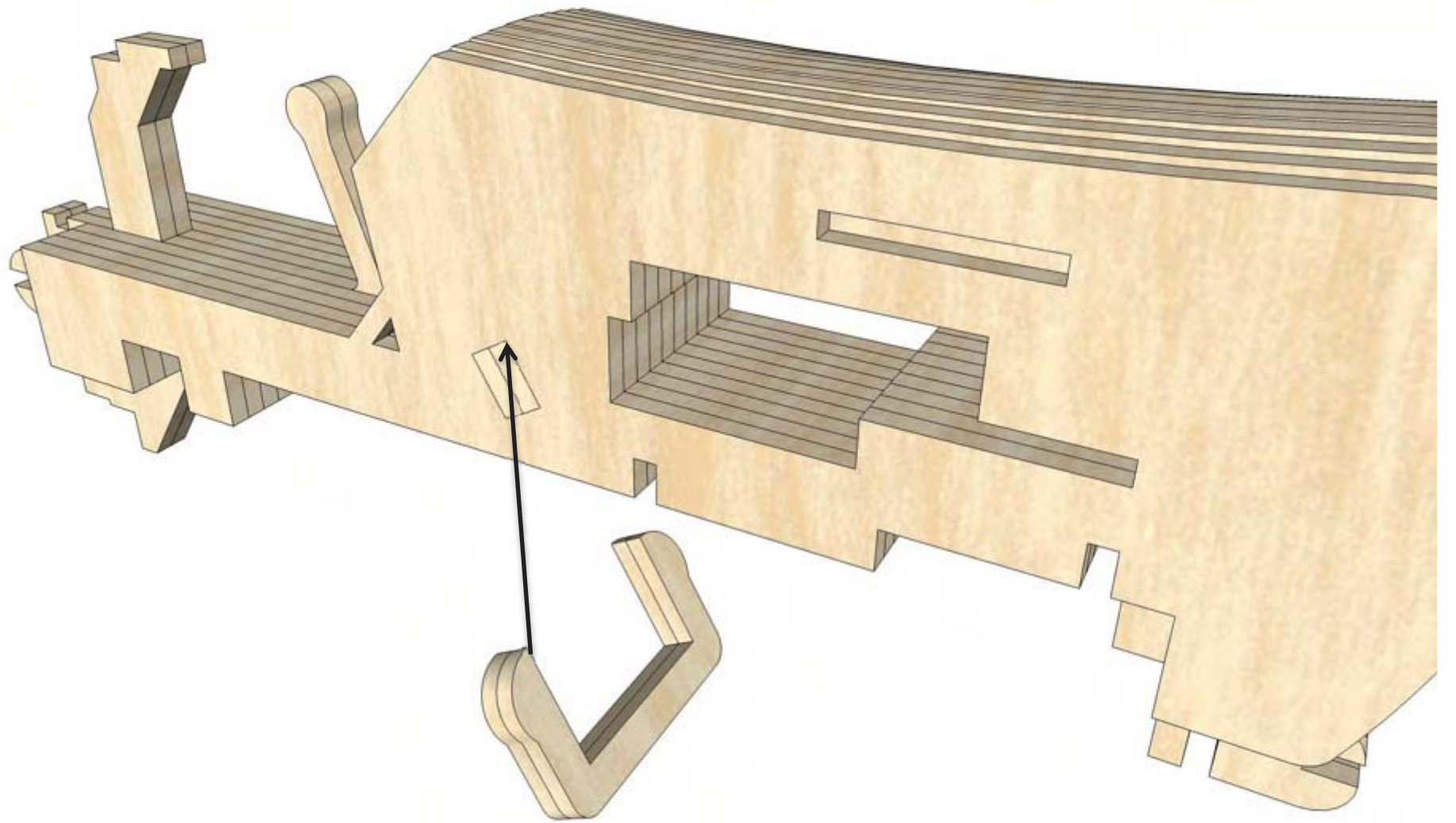


**PARTS LIST**

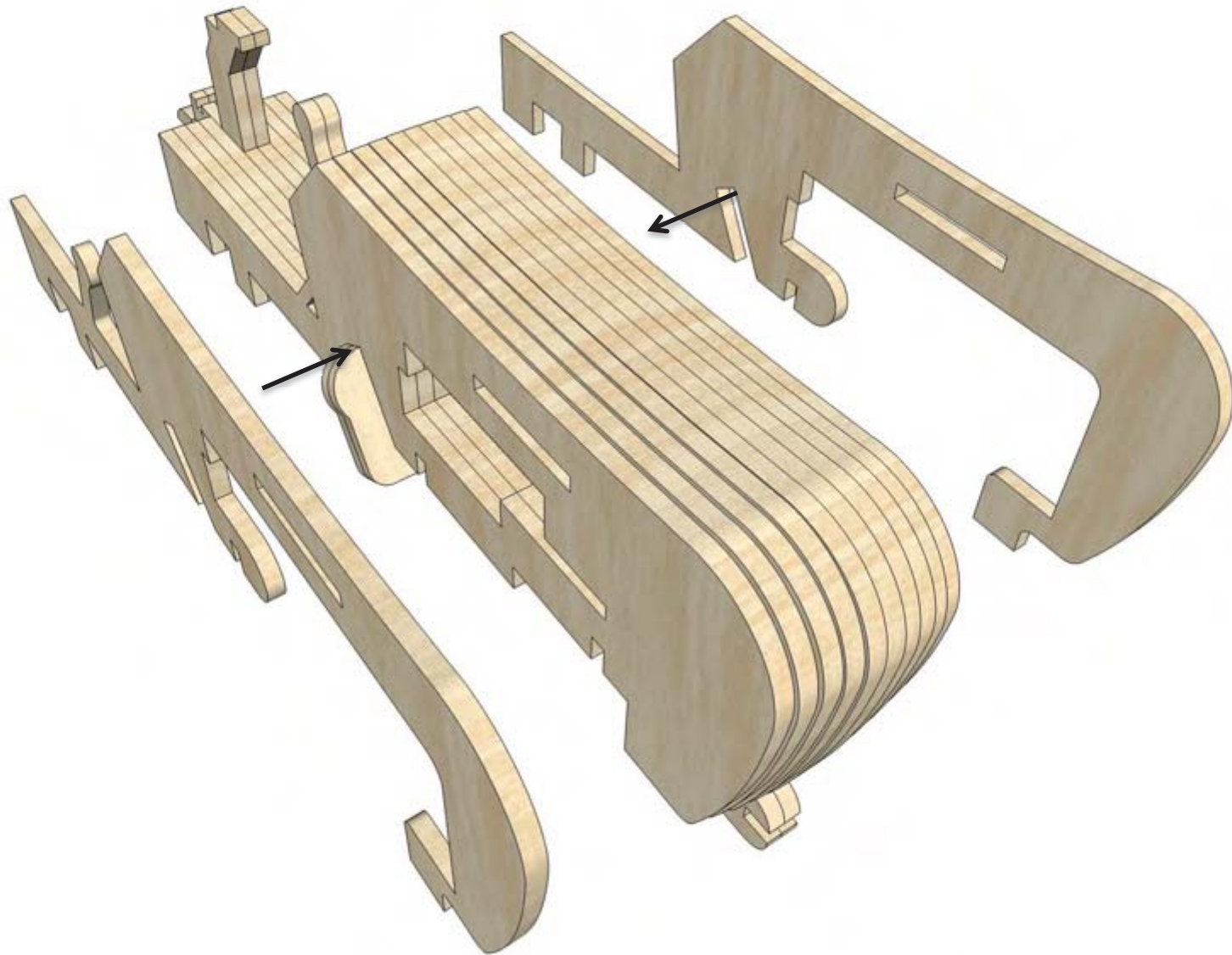
IT IS RECOMMENDED TO GO THROUGH ALL THE PAGES  
AND SEE EACH STEP BEFORE STARTING THE ASSEMBLY



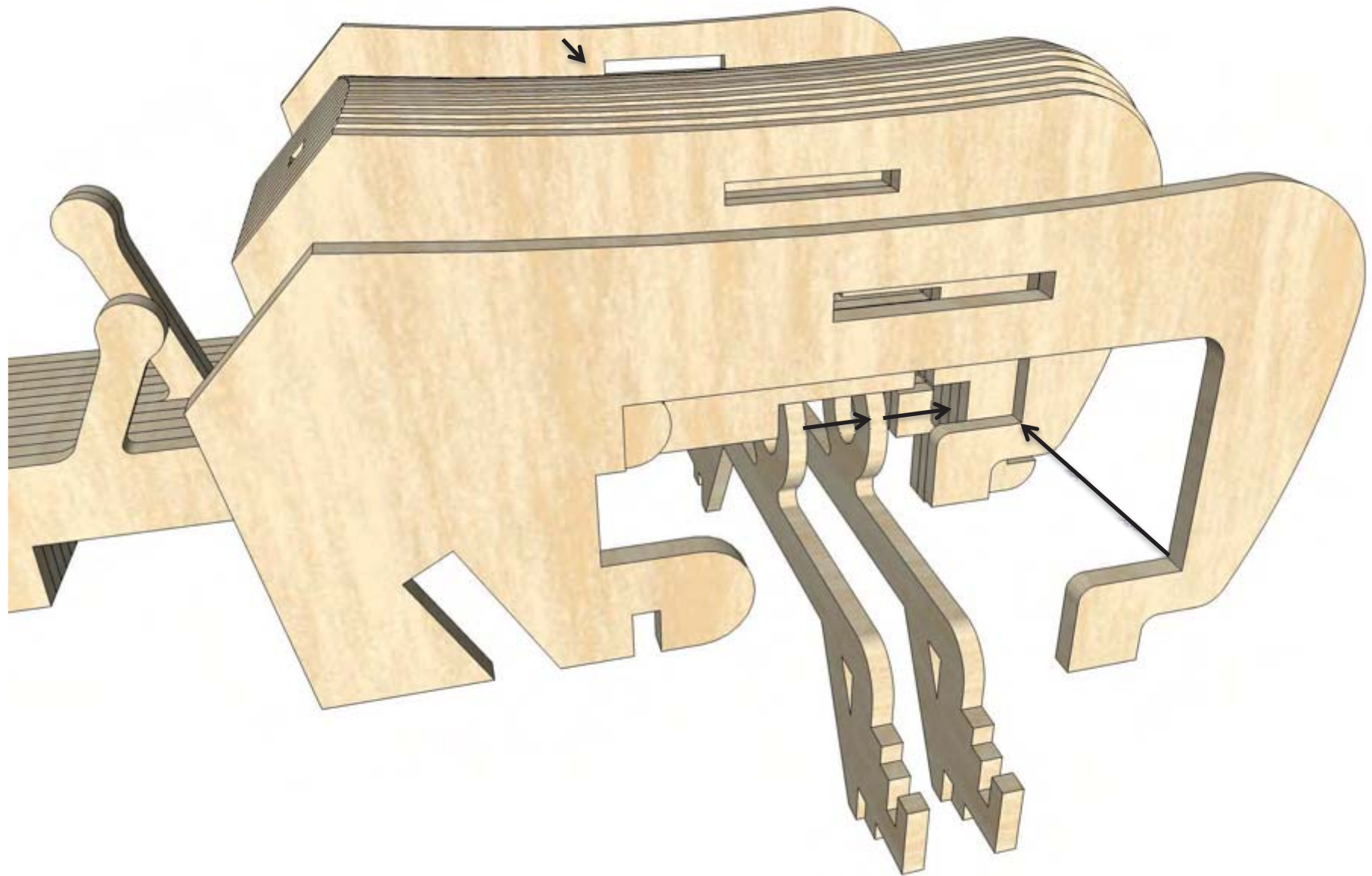
**ASSEMBLY STEPS**



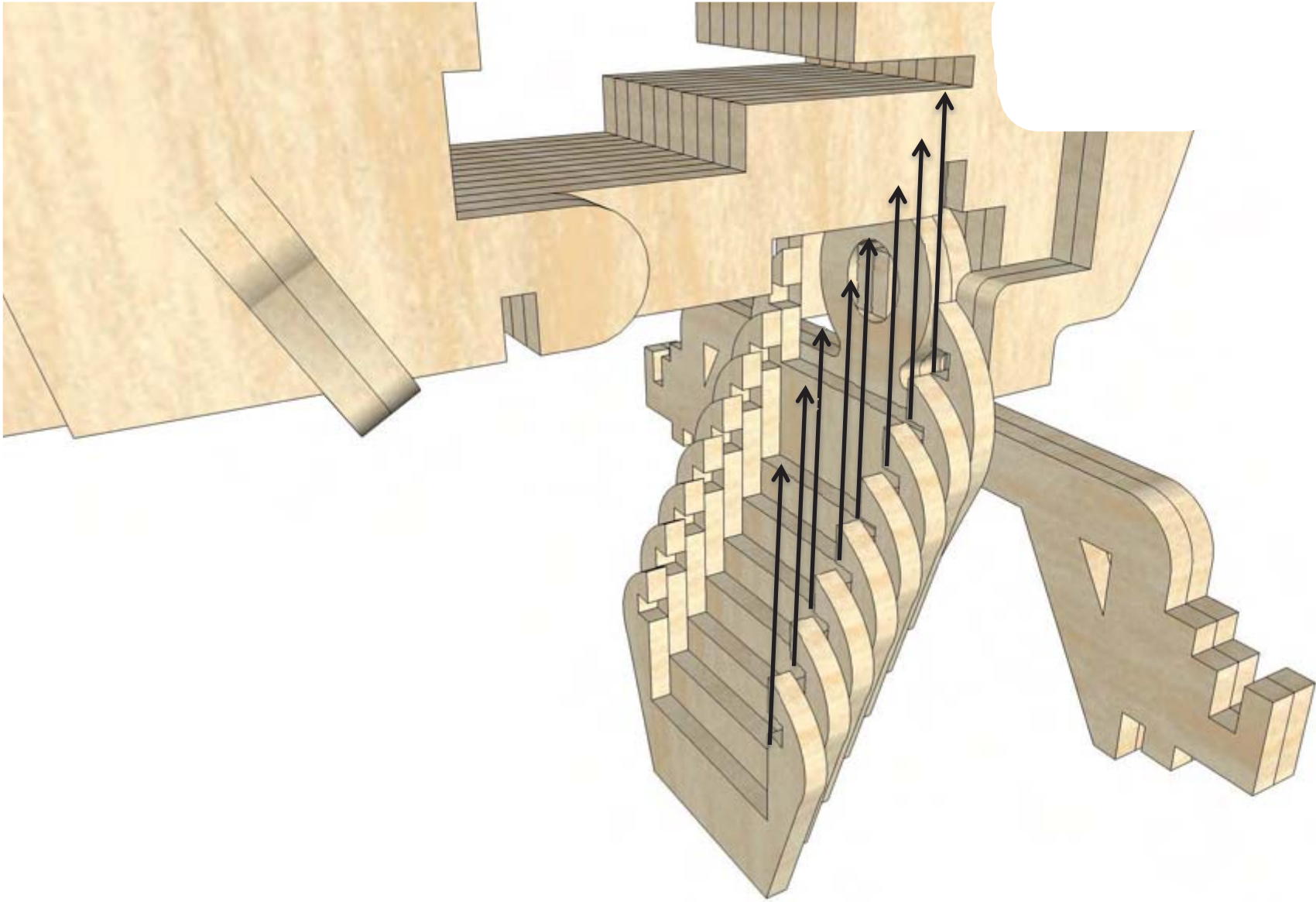
**ASSEMBLY STEPS**



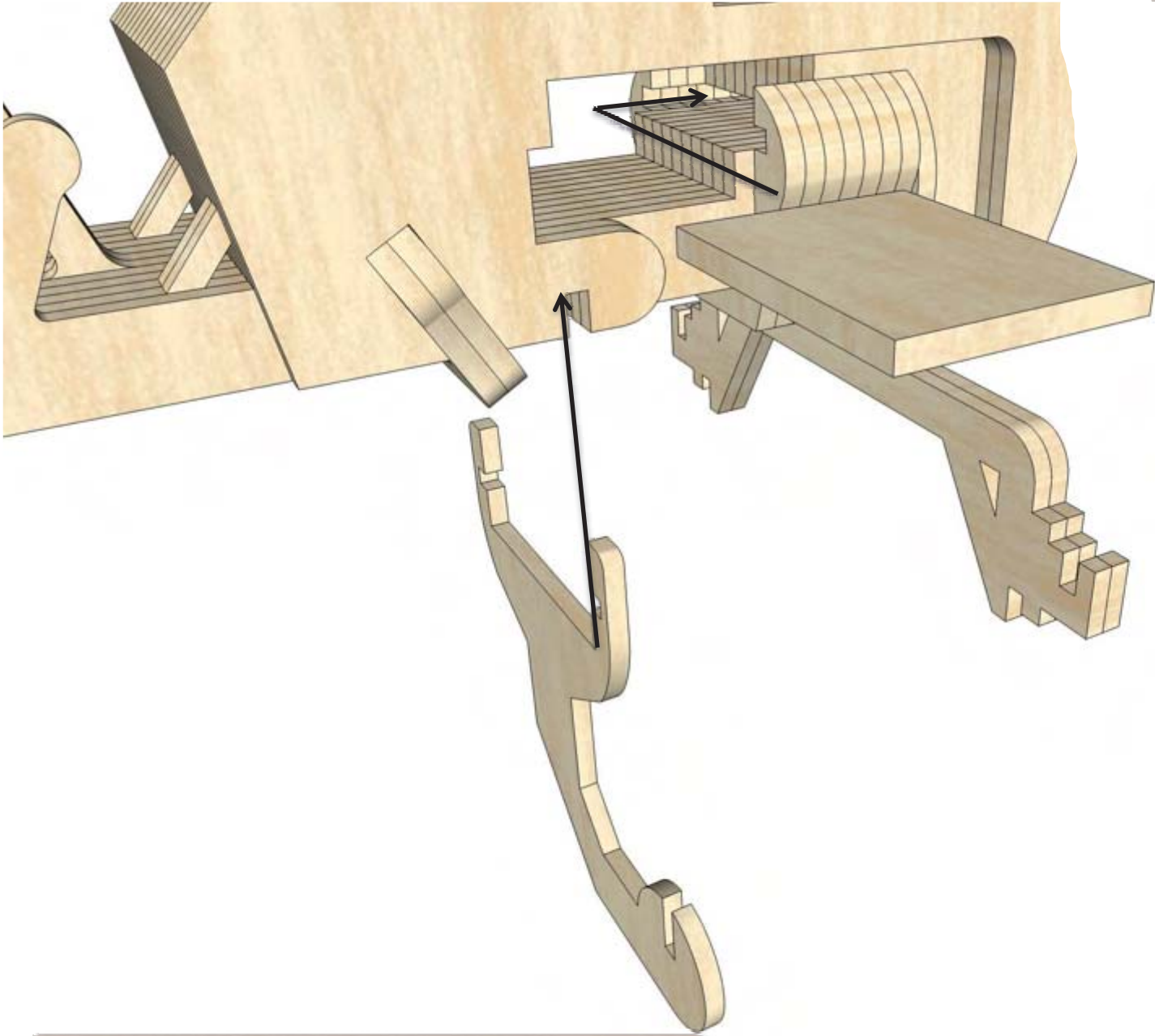
**ASSEMBLY STEPS**



**ASSEMBLY STEPS**

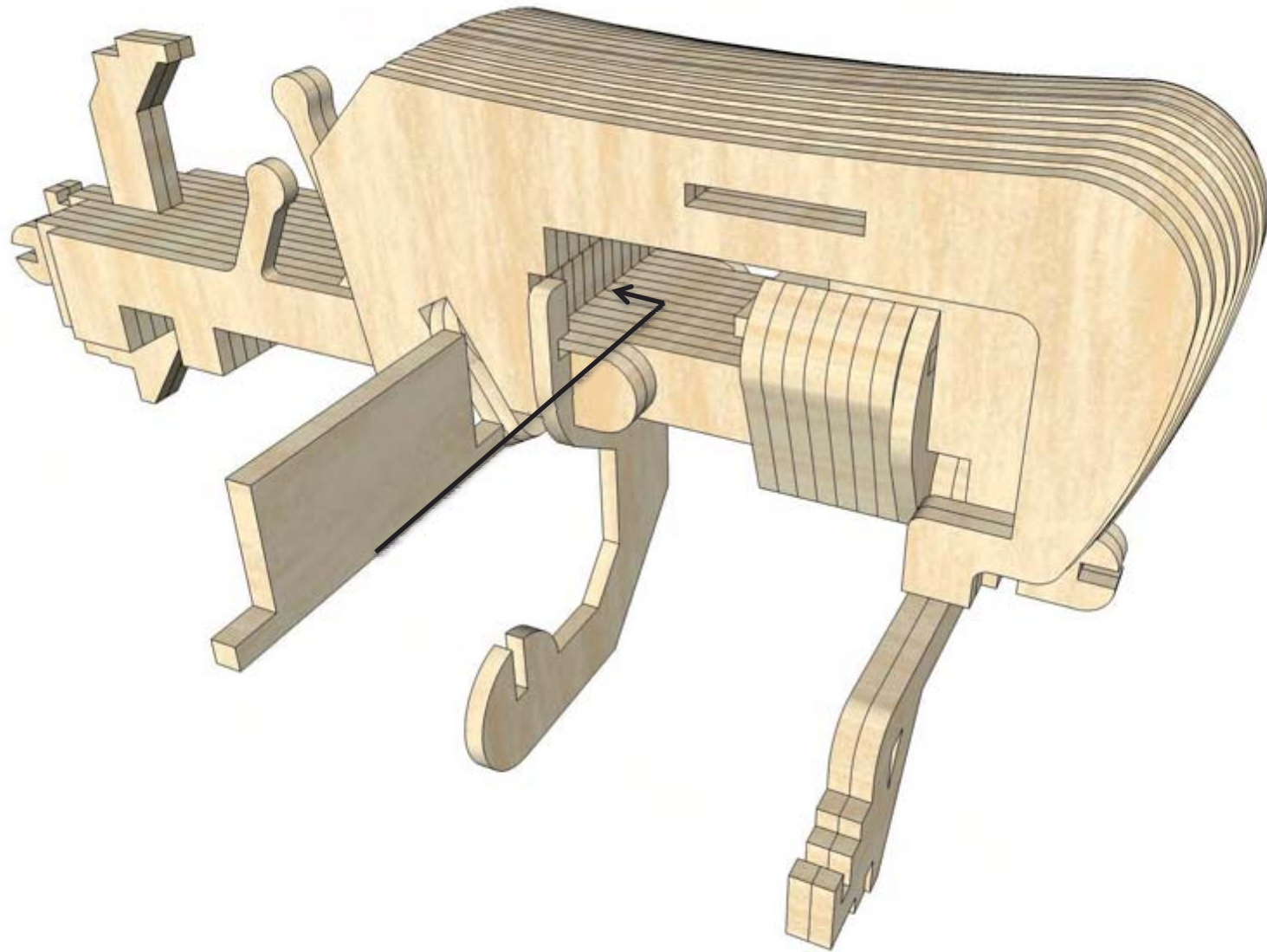


**ASSEMBLY STEPS**

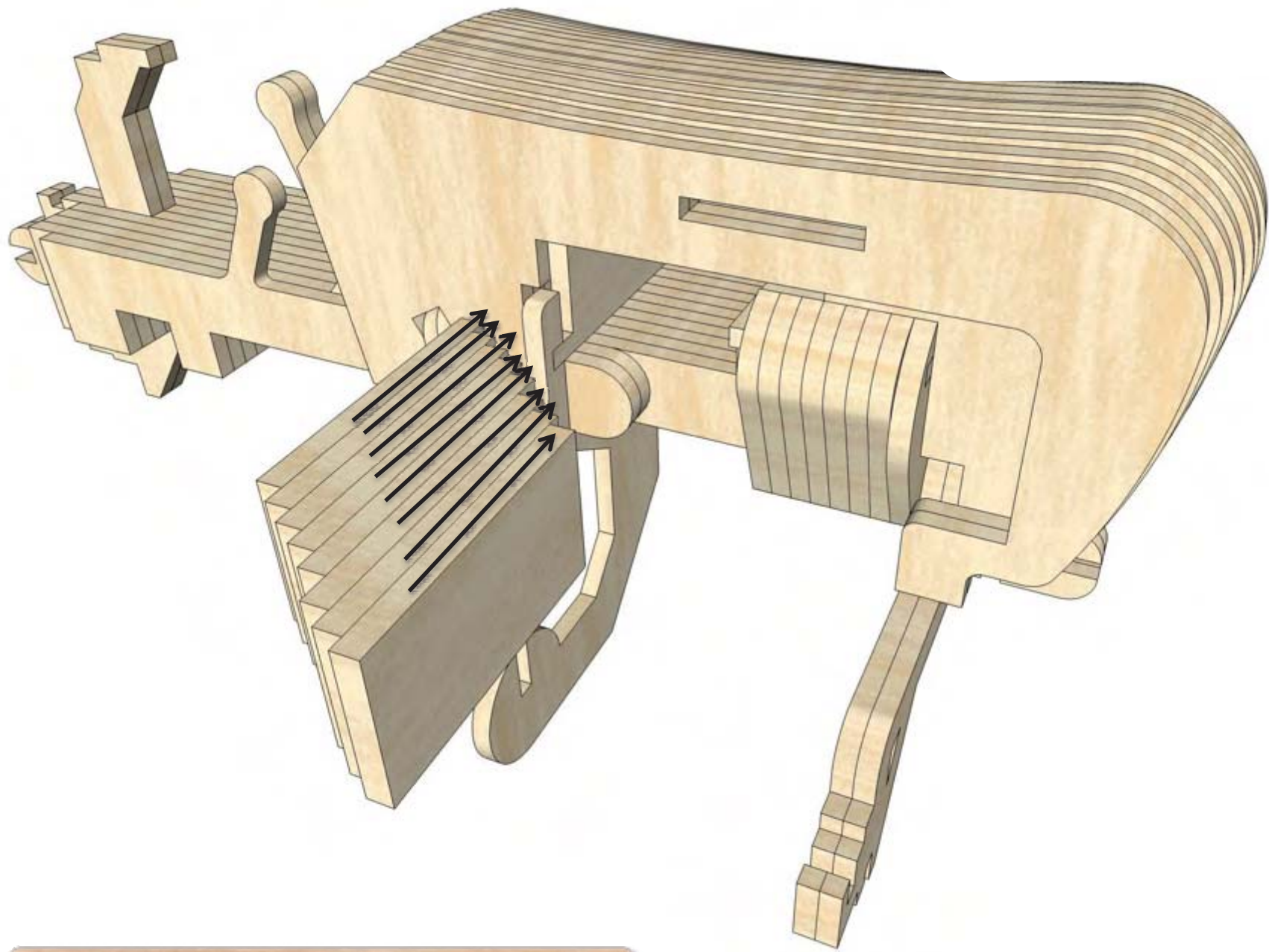


**ASSEMBLY STEPS**

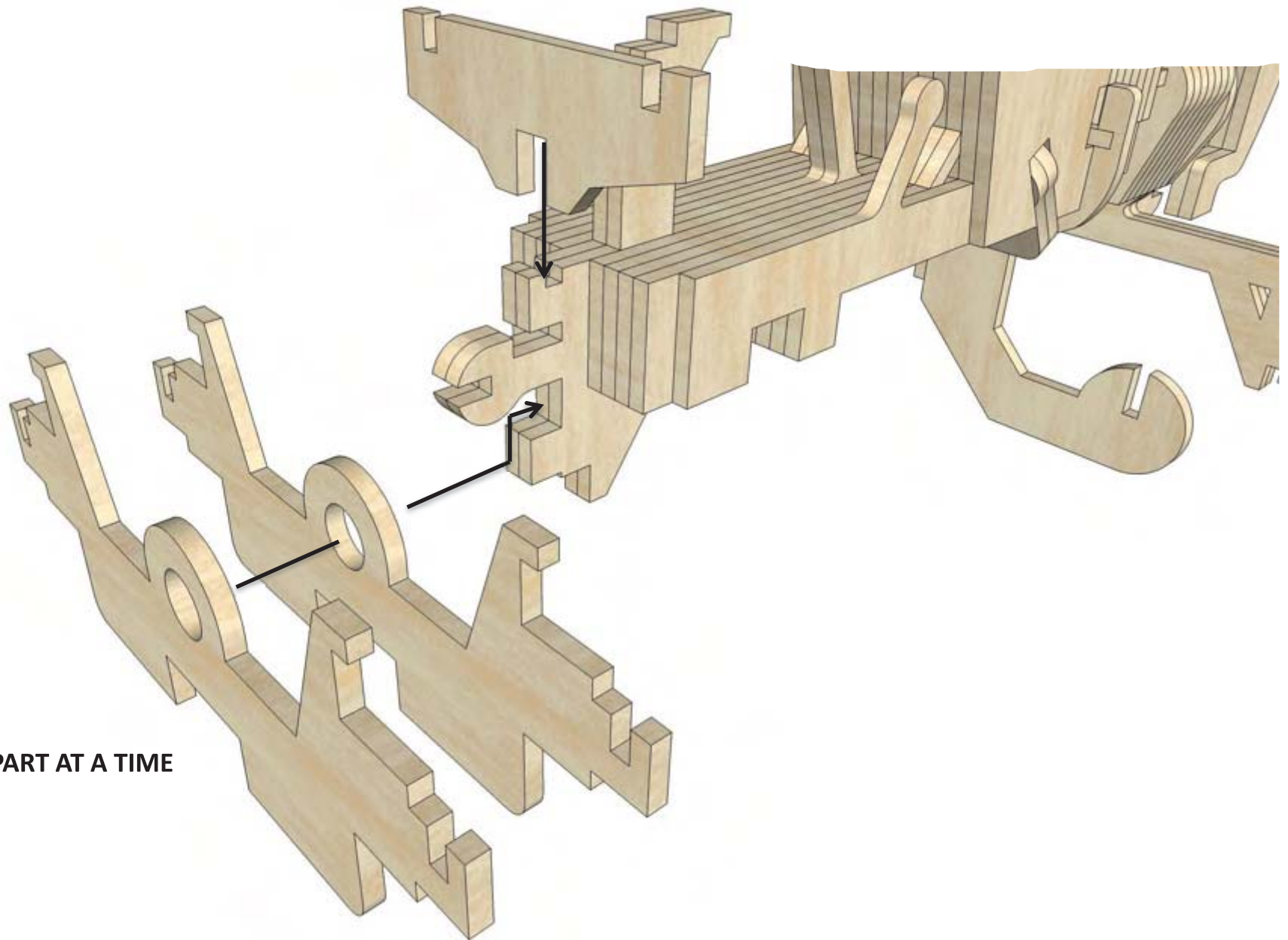




**ASSEMBLY STEPS**

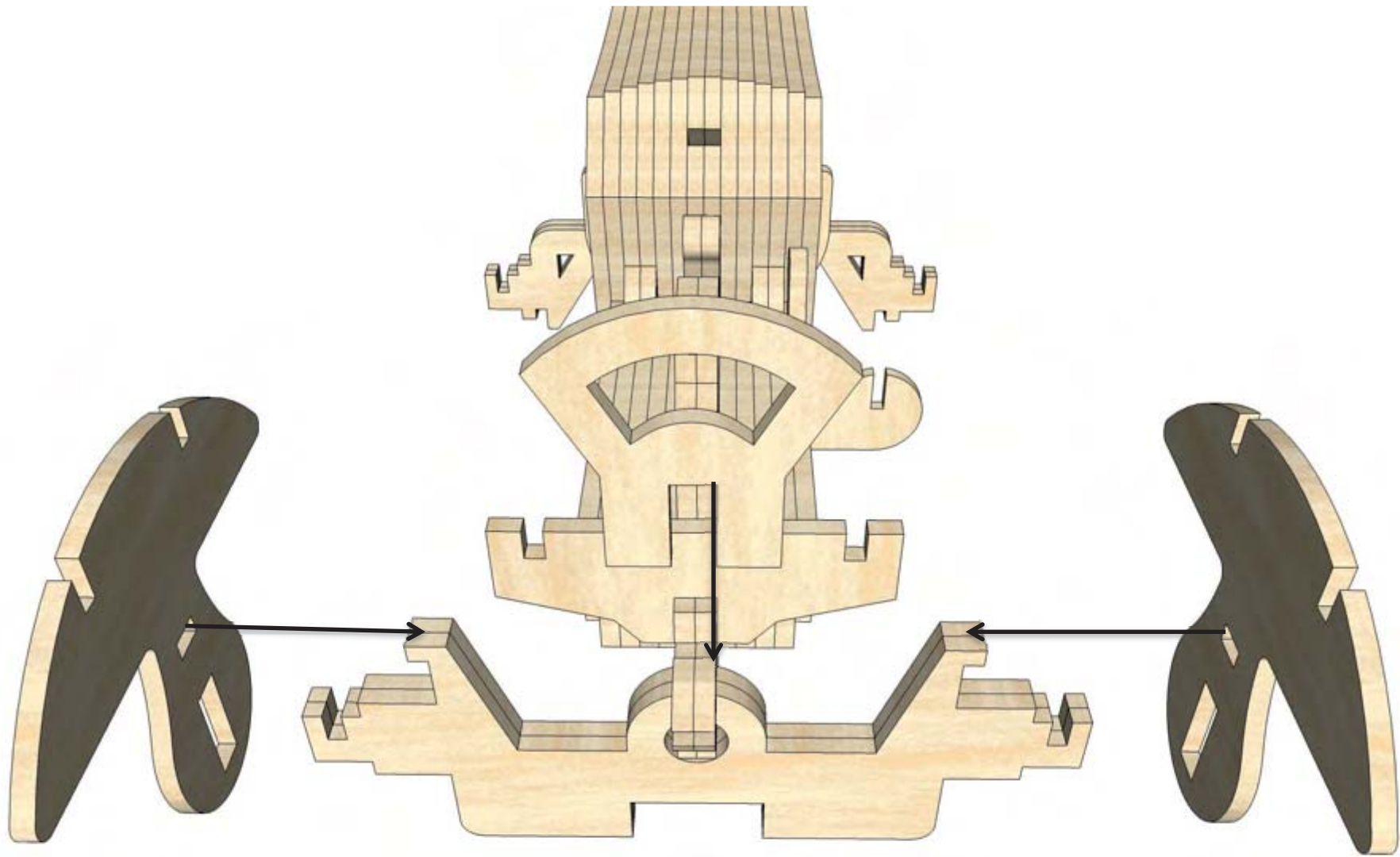


**ASSEMBLY STEPS**



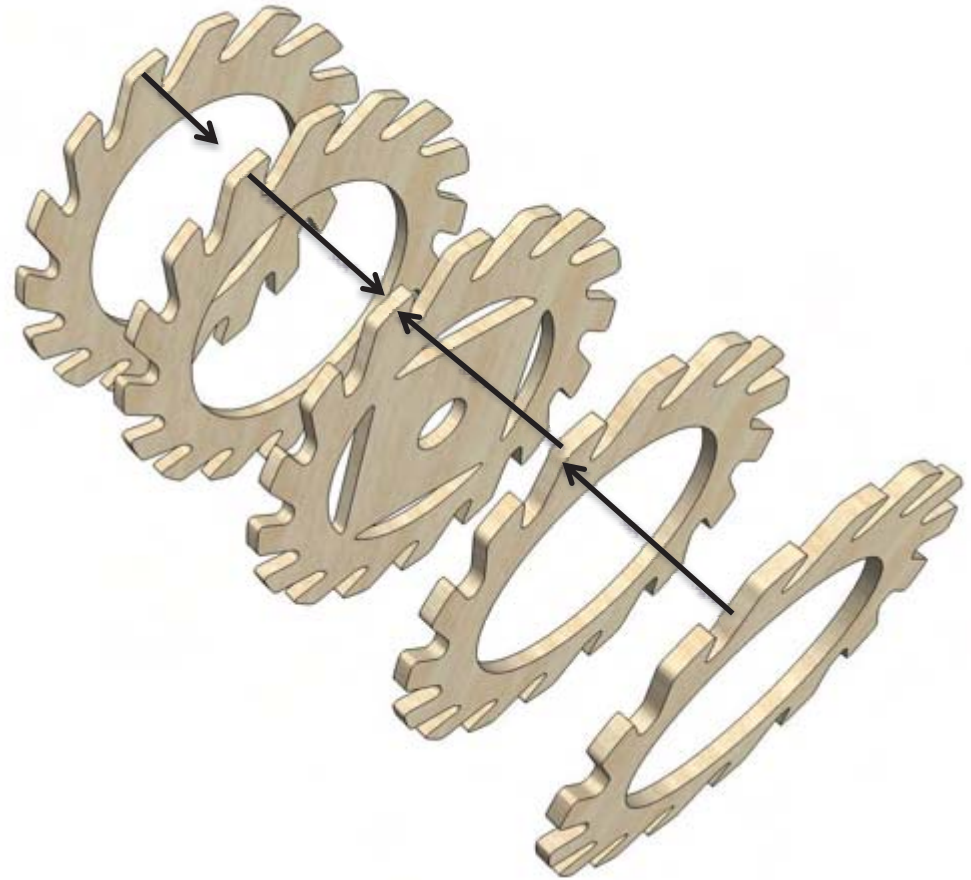
EACH PART AT A TIME

# ASSEMBLY STEPS

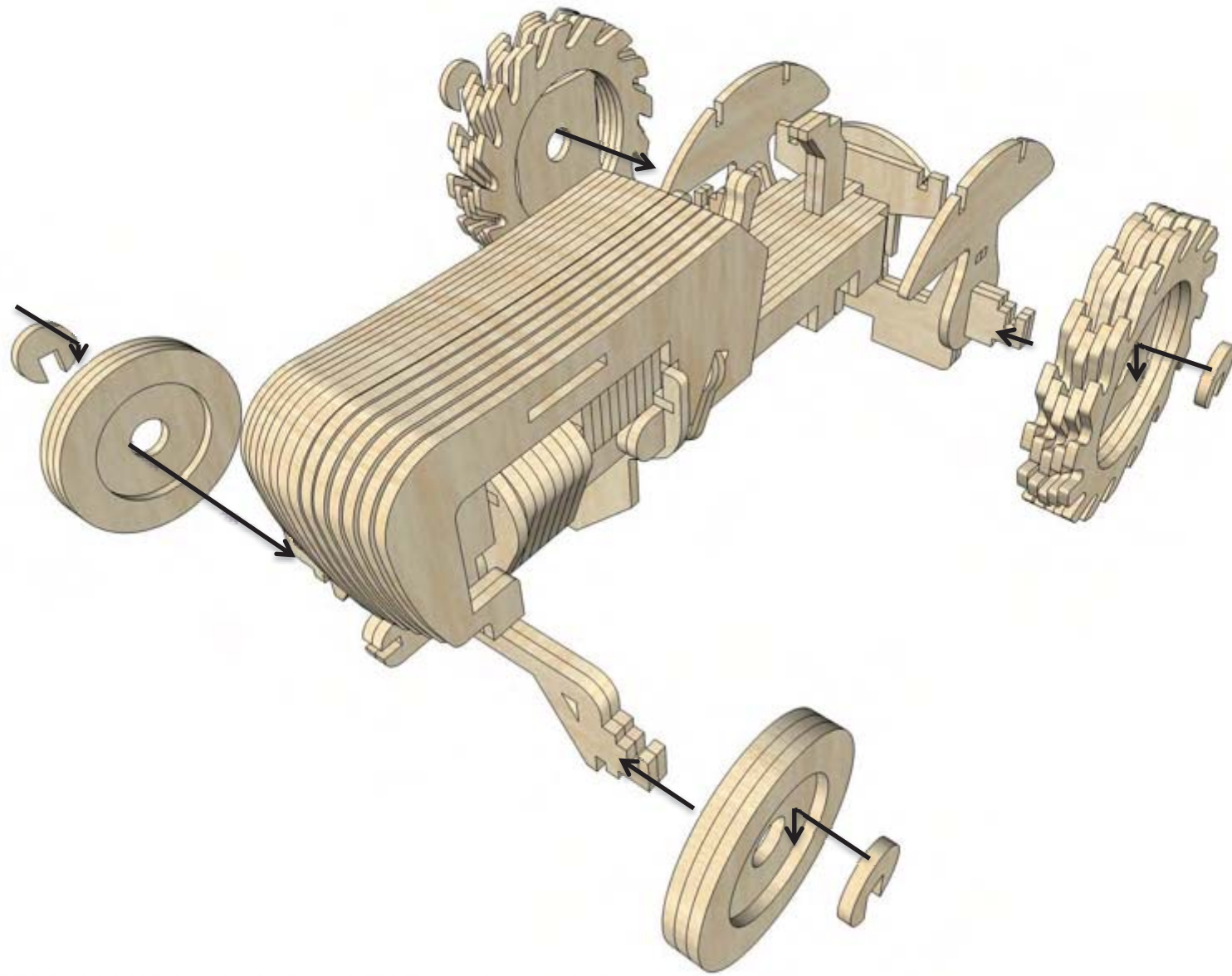


**ASSEMBLY STEPS**

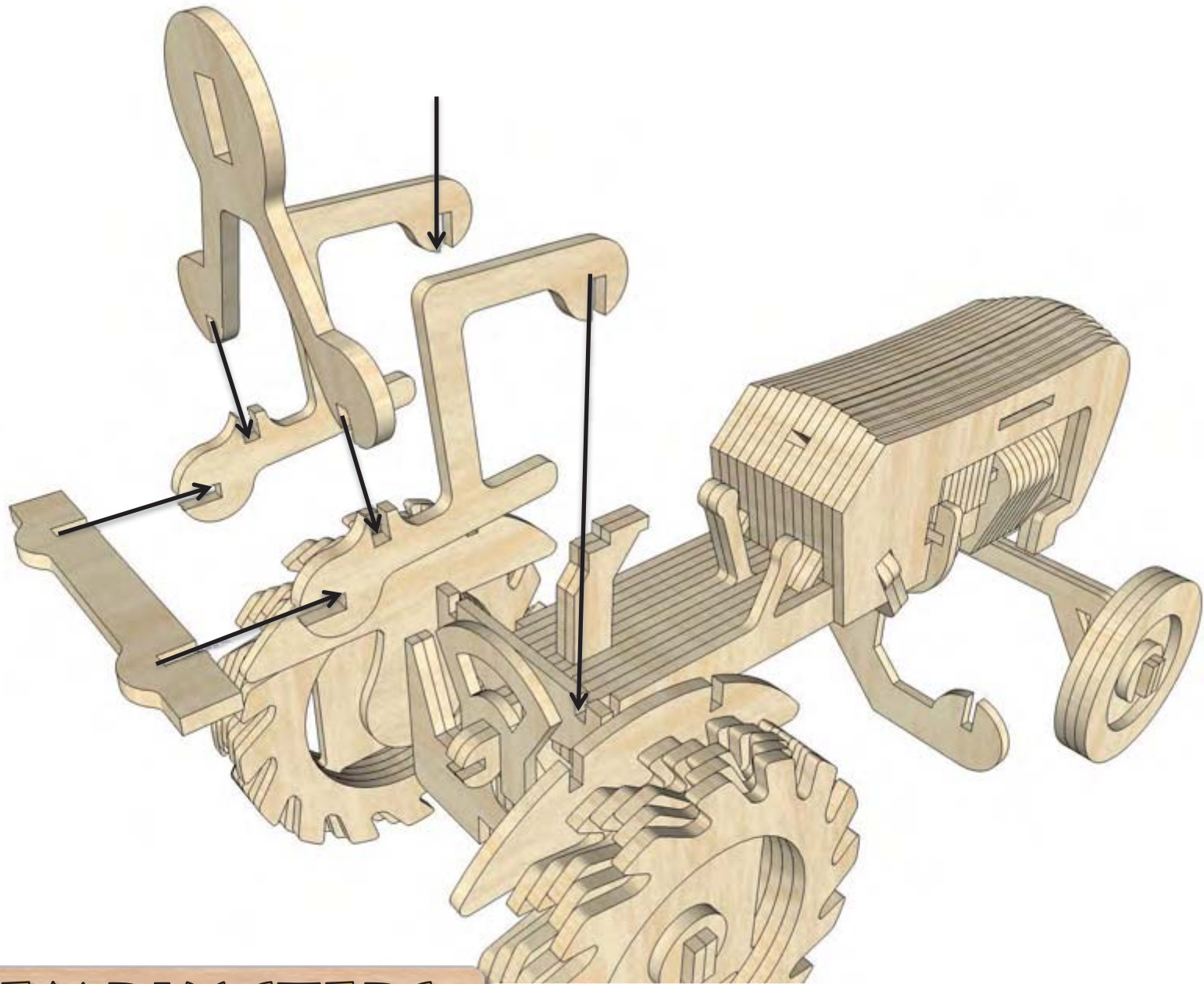
SEE HOW THE WHEELS SHOULD  
LOOK LIKE IN THE NEXT PAGE



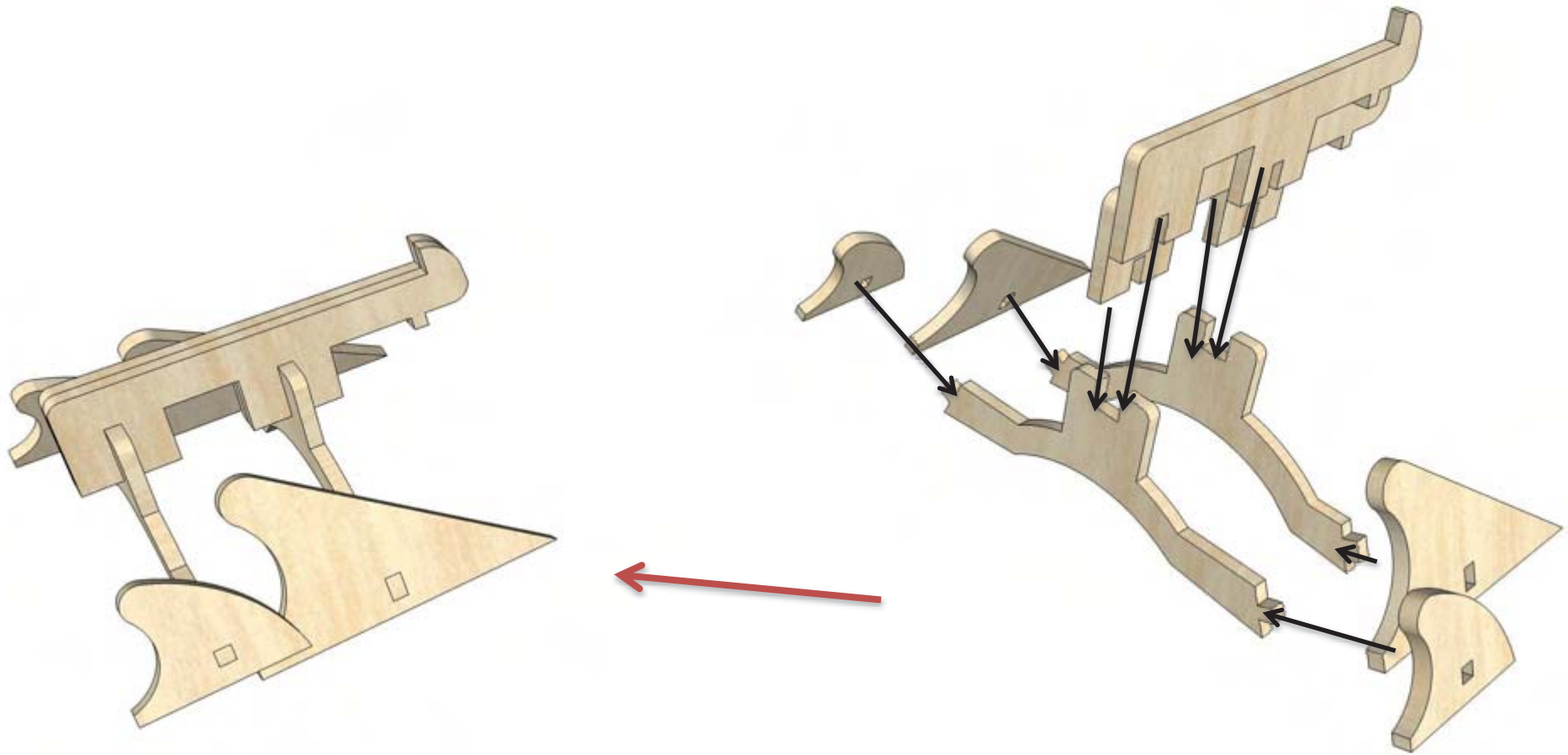
**ASSEMBLY STEPS**



**ASSEMBLY STEPS**

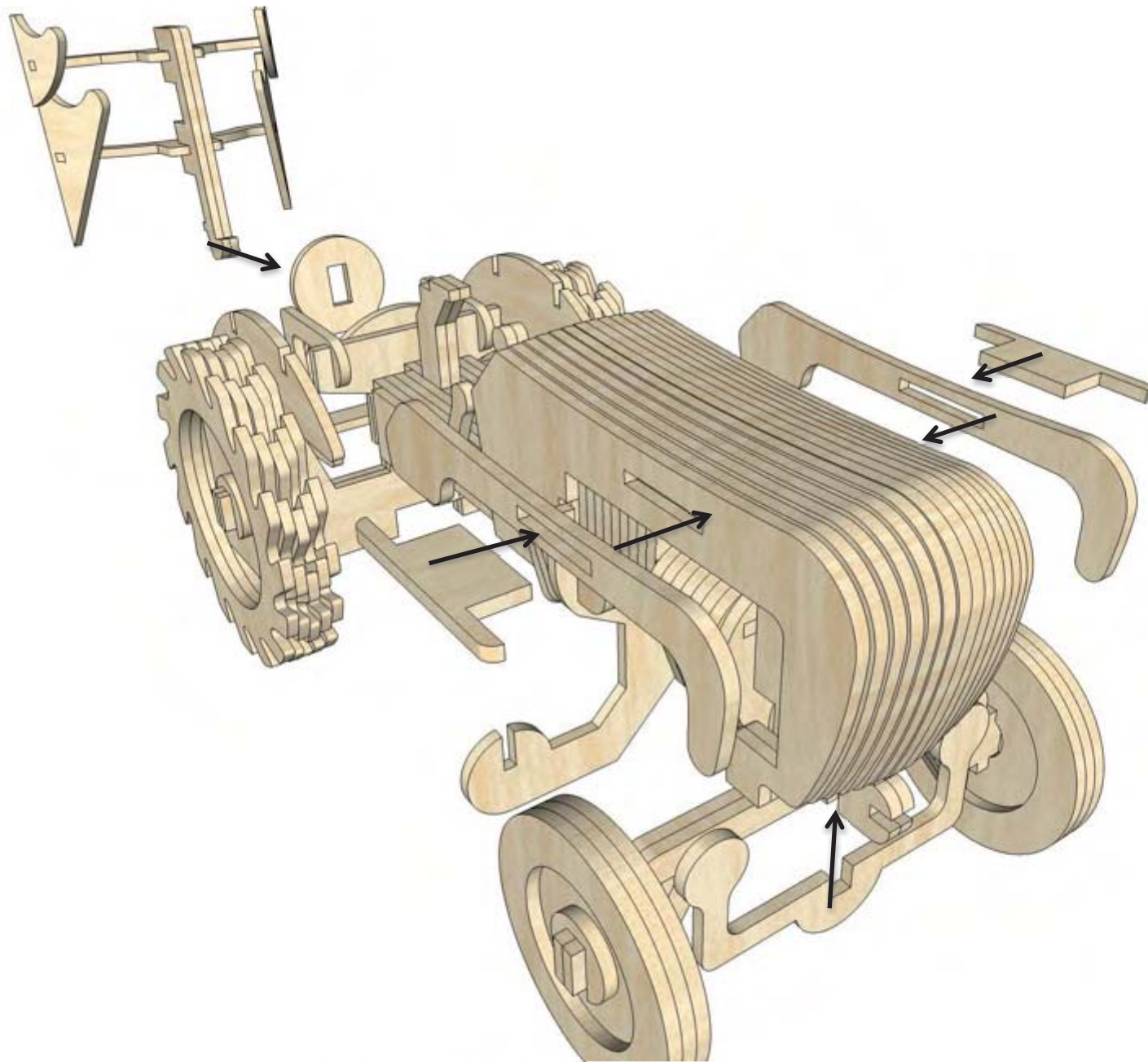


**ASSEMBLY STEPS**

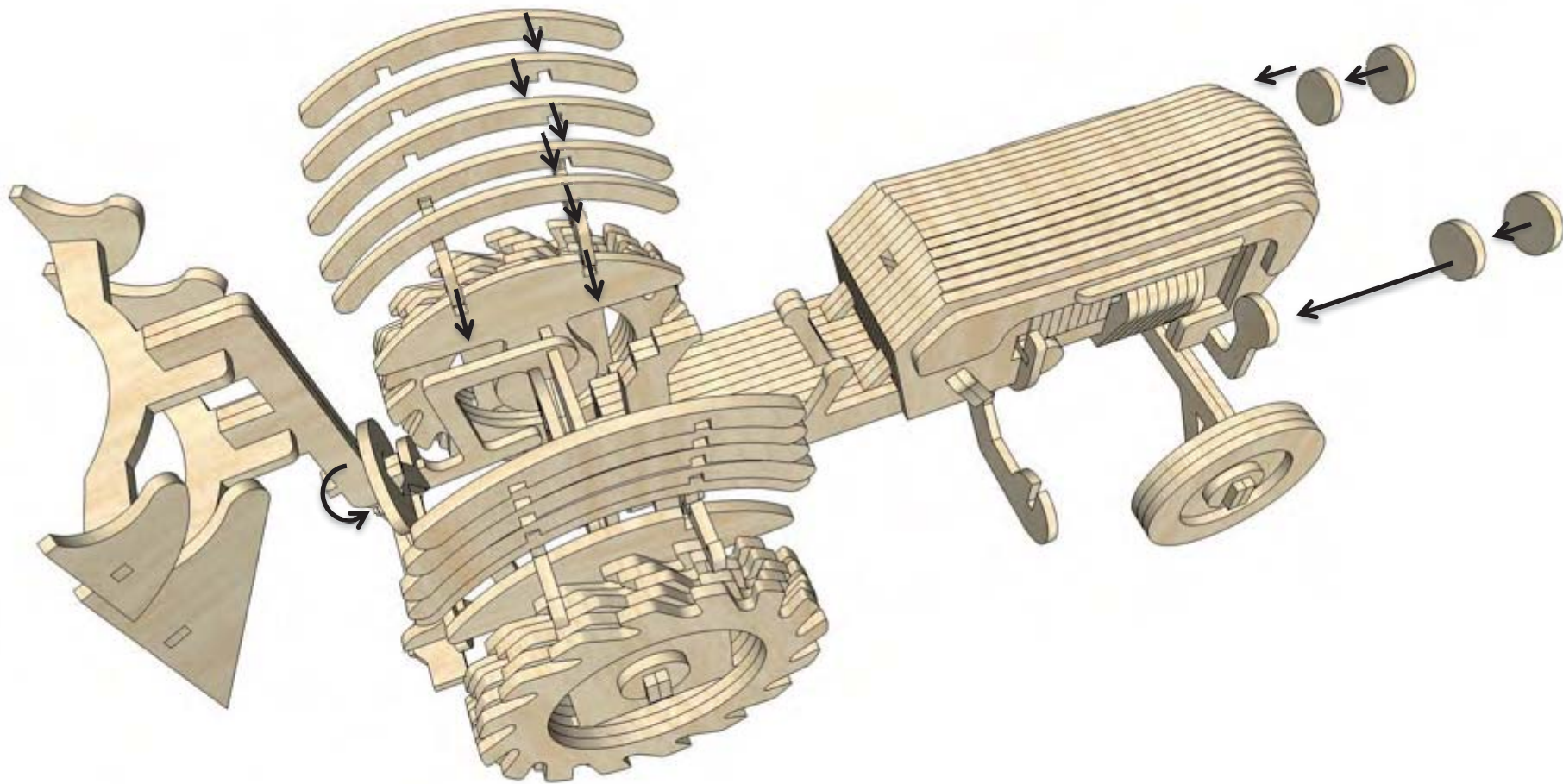


**ASSEMBLY STEPS**

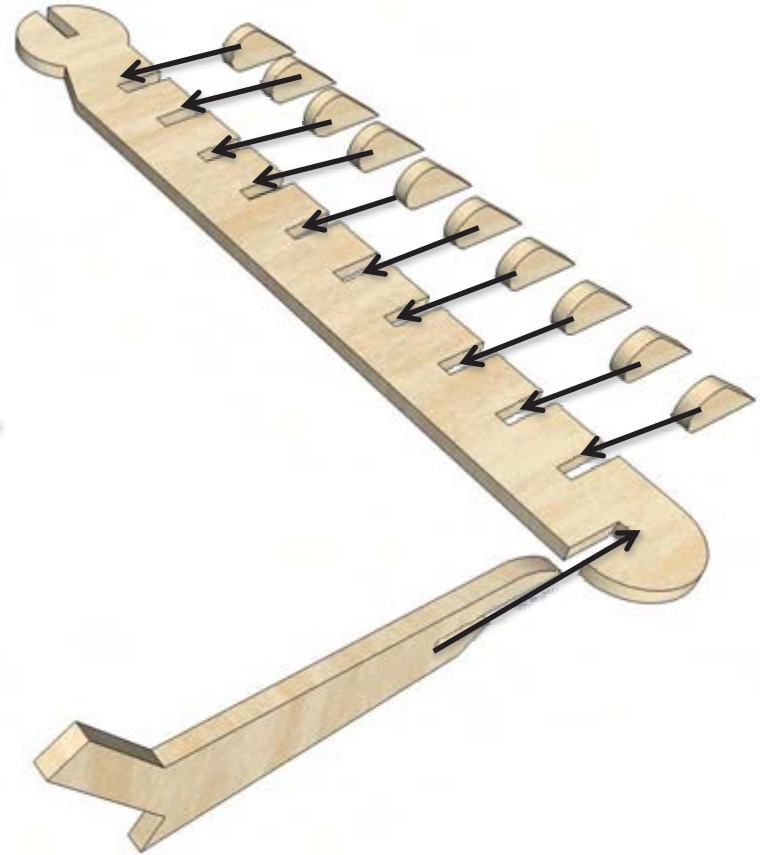




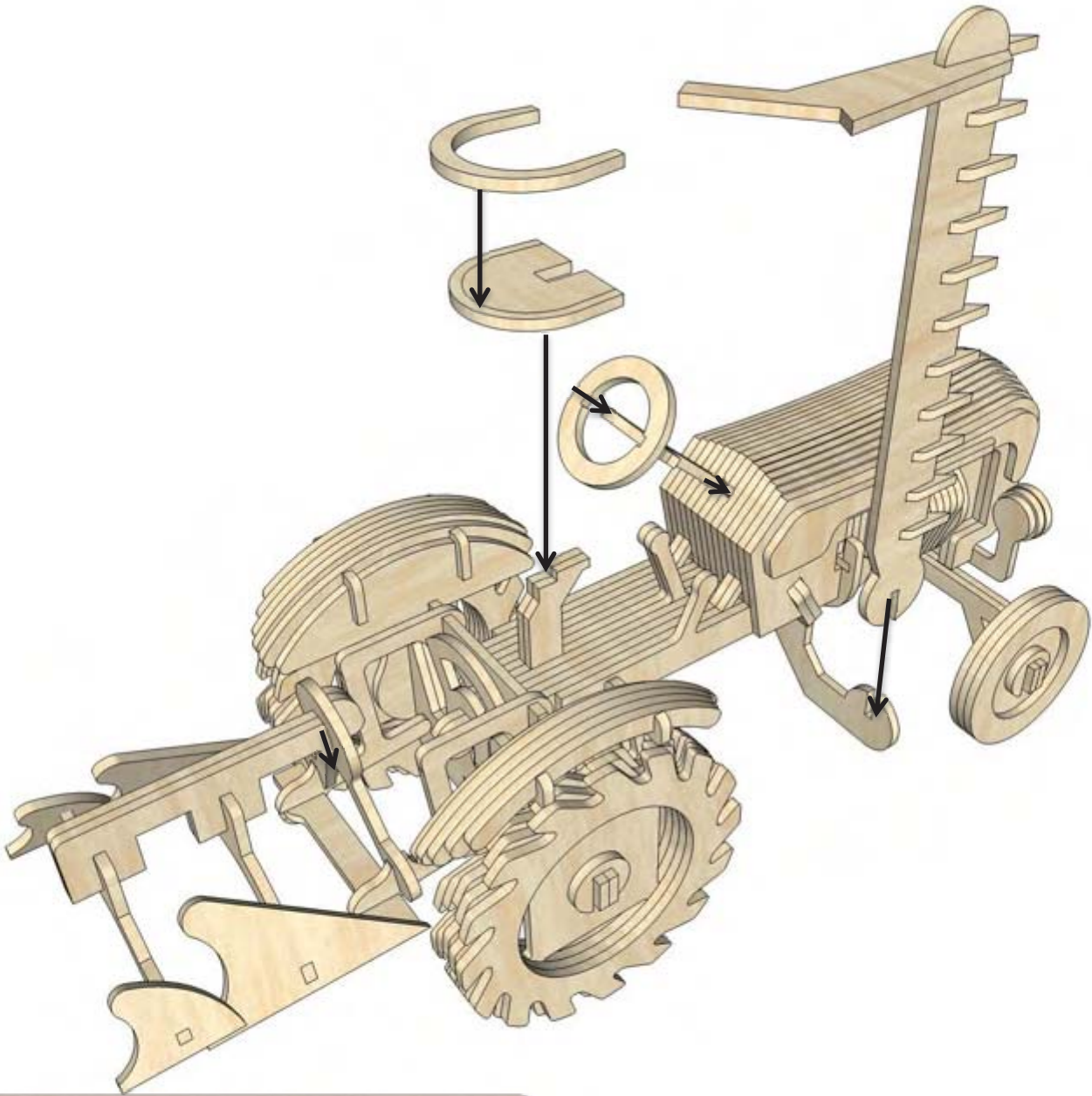
# ASSEMBLY STEPS



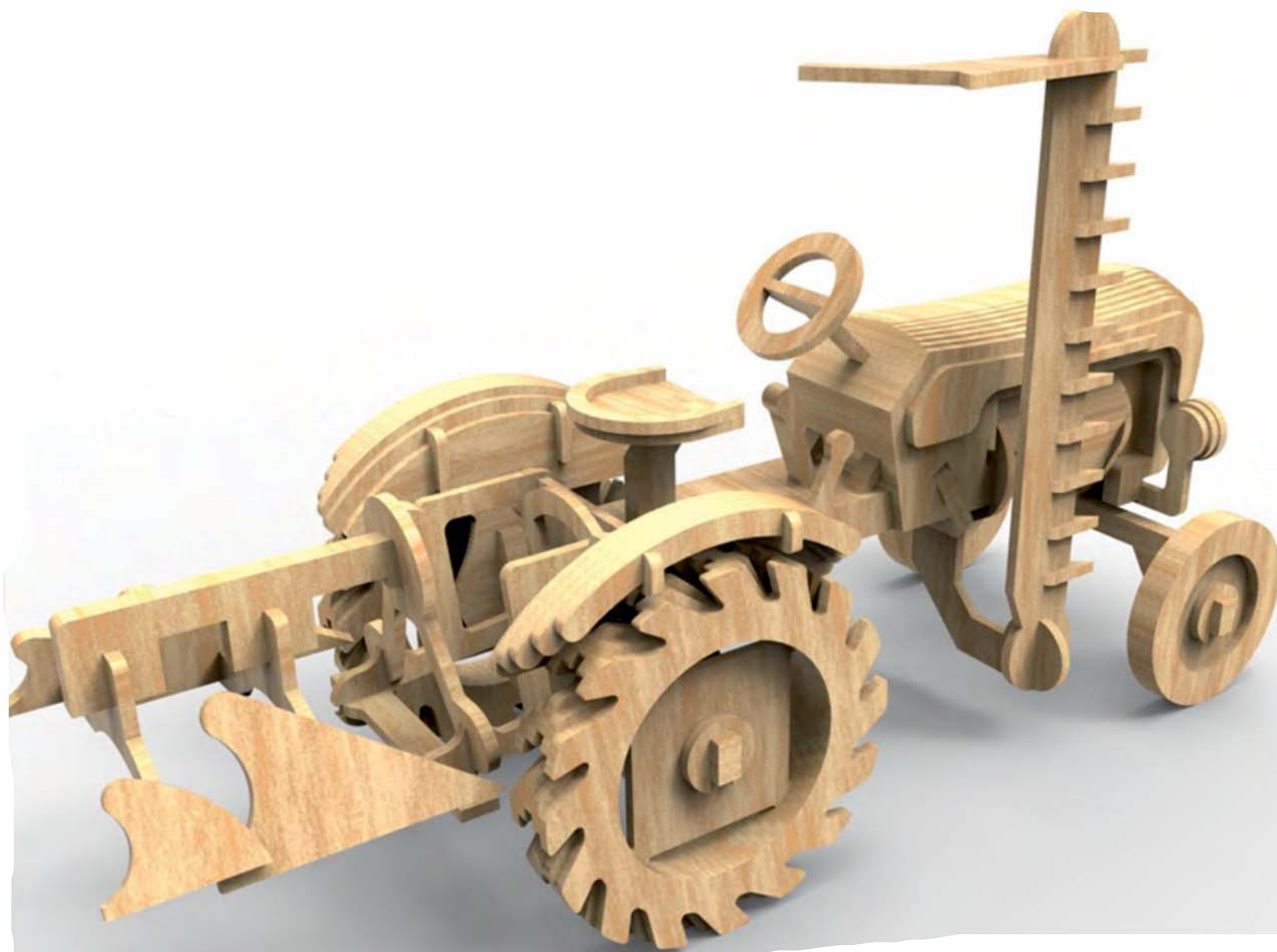
# ASSEMBLY STEPS



**ASSEMBLY STEPS**



**ASSEMBLY STEPS**



**COMPLETE**